

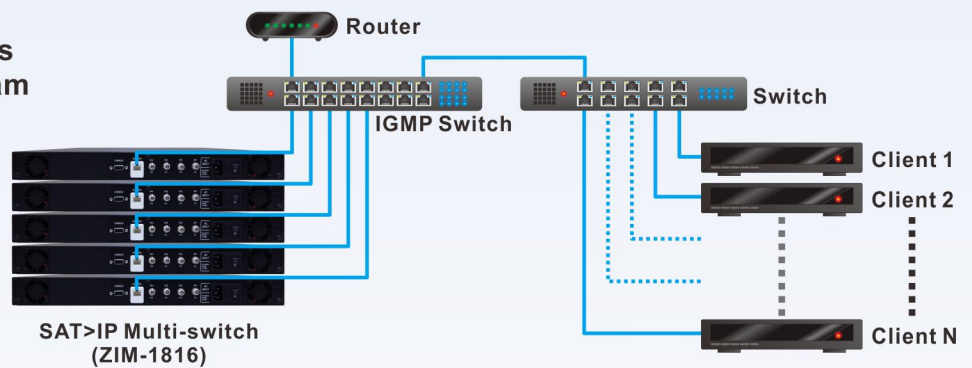
Rack-Mounted SAT>IP Multi-Switch



ZIM-1816

Prospect

Allows large number of clients to receive live satellite program by using multicast function.



Introduction

The rack-mounted SAT>IP server, which has built in 16 DVB-S/S2 tuners. It can simultaneously locked up to 16 satellite transponders. By running multicast mode, the installation and distribution costs can be significantly reduced. For SMATV system, the rack-mounted SAT>IP server will be a cutting-edge device for hotels and flats.

Hardware Features

| | |
|-----------|--|
| Platform | • 4 X 2200 DMIPS Dual-thread, Dual-issue ST-40 processor |
| Interface | • 4 x RF Connectors (Quad and Quattro LNB) • Input or Output Ethernet Port Is Available • 1 X RS232 Console Port for Built-in Switch Configuration |
| Casing | • 19inch 1 X Unit |

Software features

| | |
|---|---|
| SAT>IP Control Protocol | • Support Both RTSP and HTTP Protocols for Control • Support RTCP Announcements Control Channel • Support both Dynamic and Static operation |
| DVB-S/S2 Live Streaming to IP Media Transport | • Unicast via HTTP 1.0/1.1 • Multicast via UDP/RTP |
| Web UI | • Easy to manage the server remotely via Web UI • Access Web UI easily via browsers in PC • Support software upgrade via Web UI |



Application

